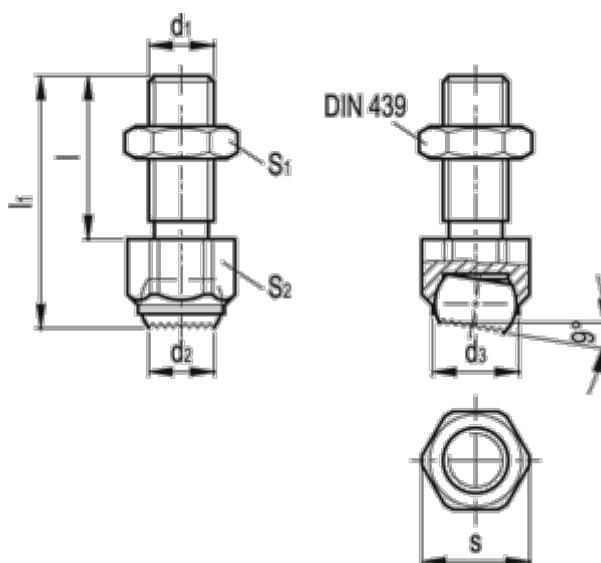


Article number: 20256392

Description: E+G Clamping pad  
GN 709.3-13-M8-R

## Measures



$d_1$	= M8	$S_2$	= 13
$d_2$	= 5.8	Weight (g)	= 25
$d_3$	= 8.5		
$l_1$	= 25		
$l_1$	= 36.6		
Max static load (KN)	= 8		
$s$	= 14.5		
$S_1$	= 13		